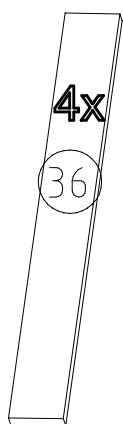
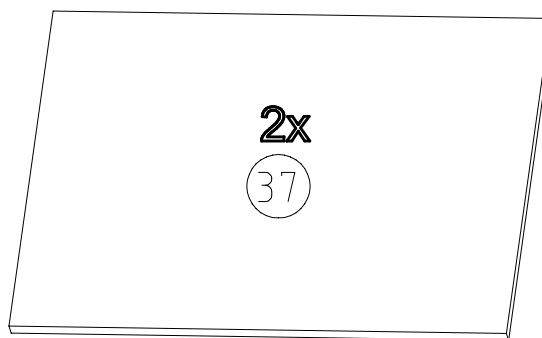


419x15

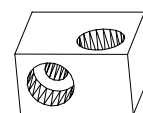
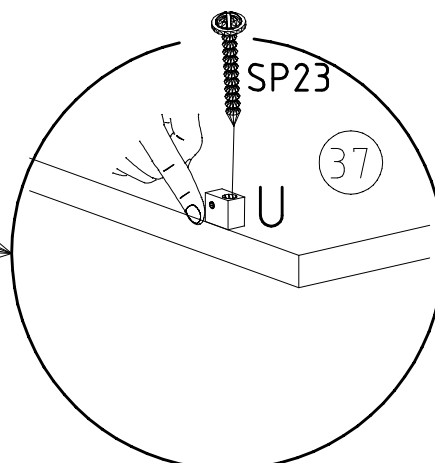
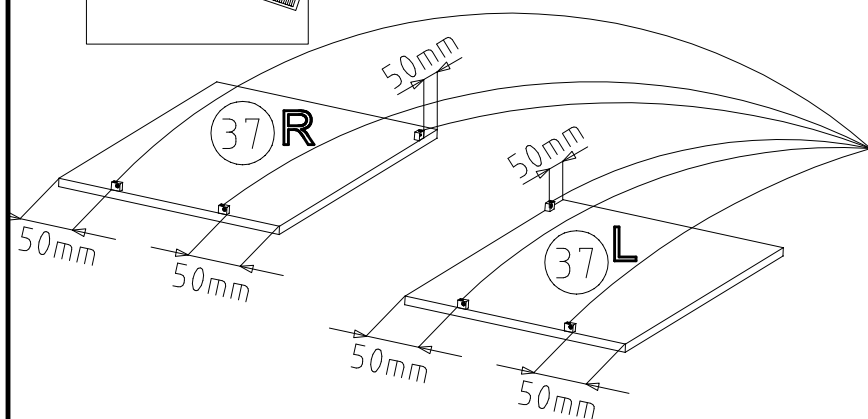
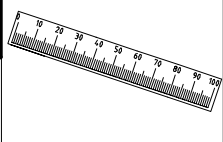


537x64x15

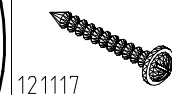


418x580x15

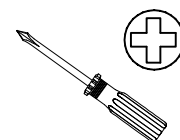
1



111 066/074
4 X 23 mm SP23



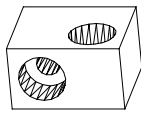
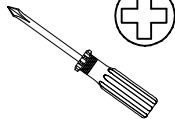
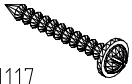
121117



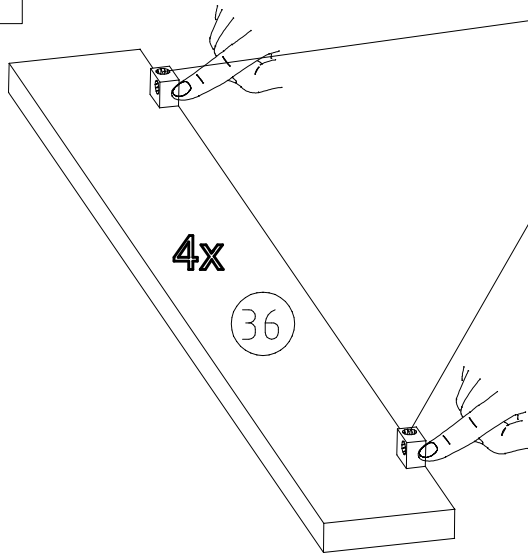
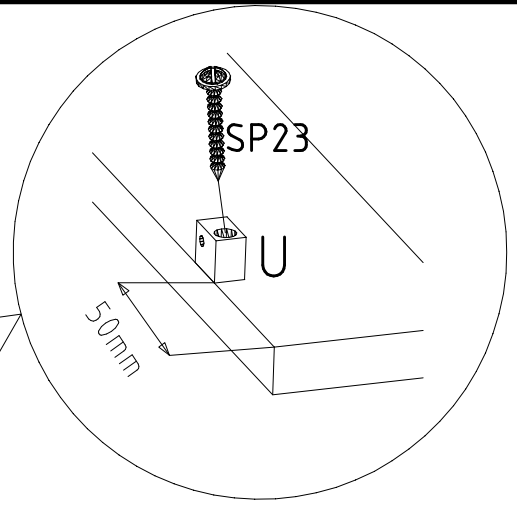
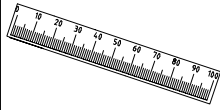
2

4 X 23 mm SP23

121117



111 066/074



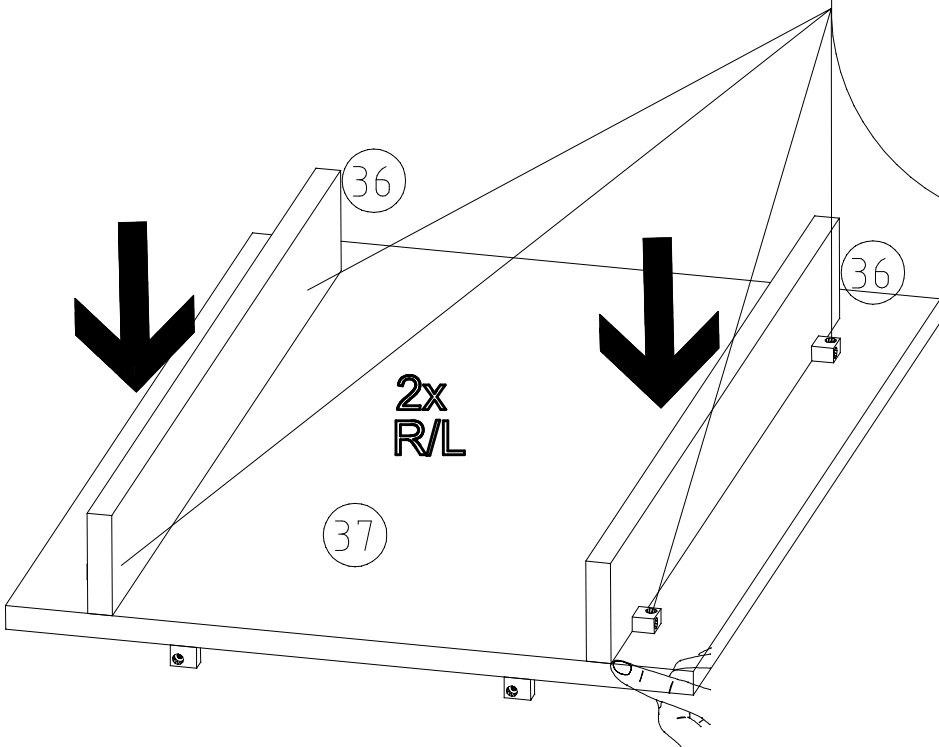
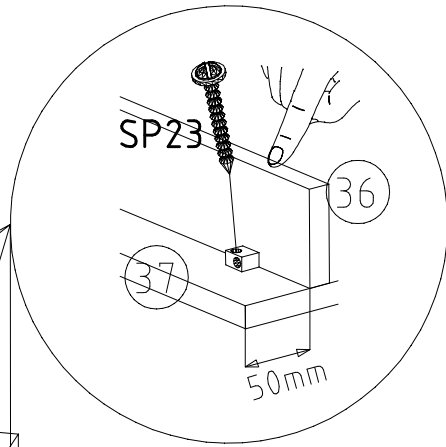
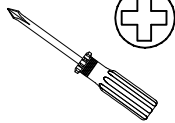
4x

36

3

4 X 23 mm SP23

121117



2x
R/L

37

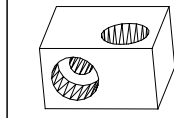
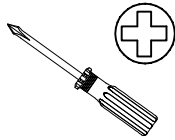
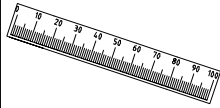
36

36

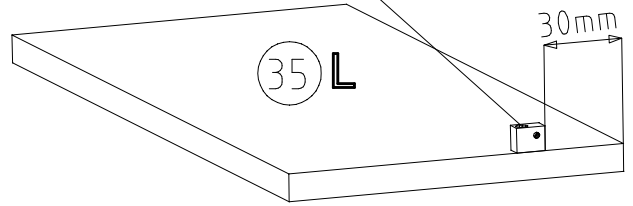
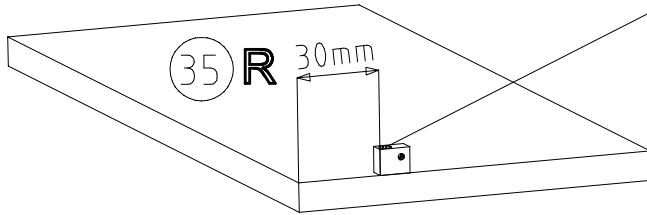
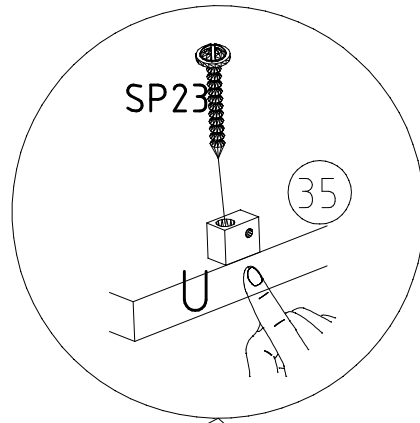
4

4 X 23 mm SP23

121117



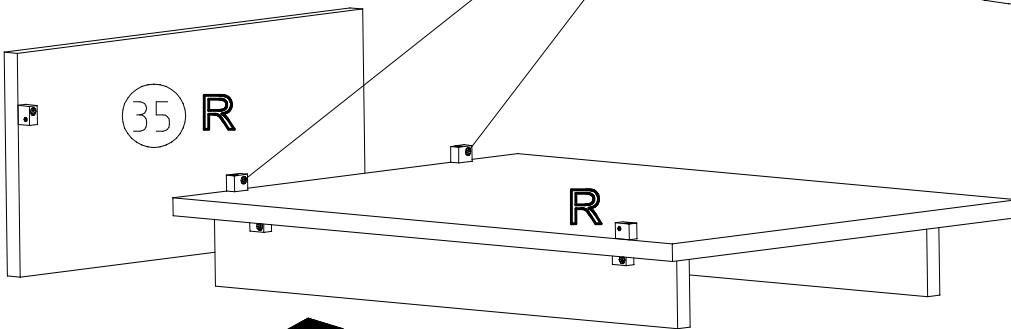
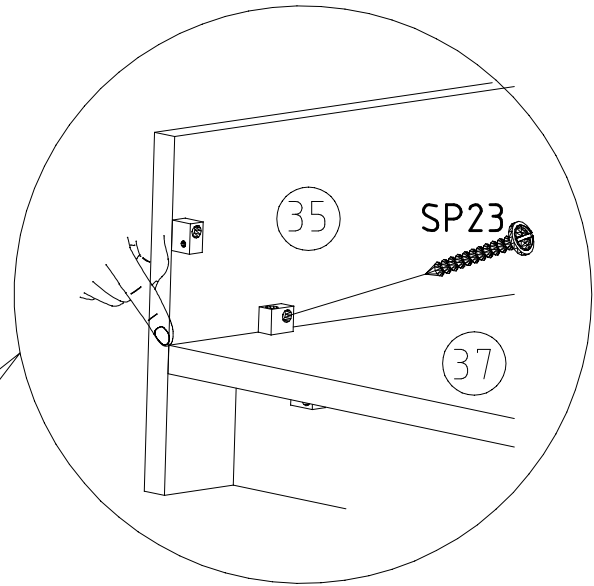
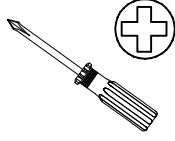
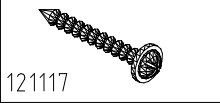
111 066/074



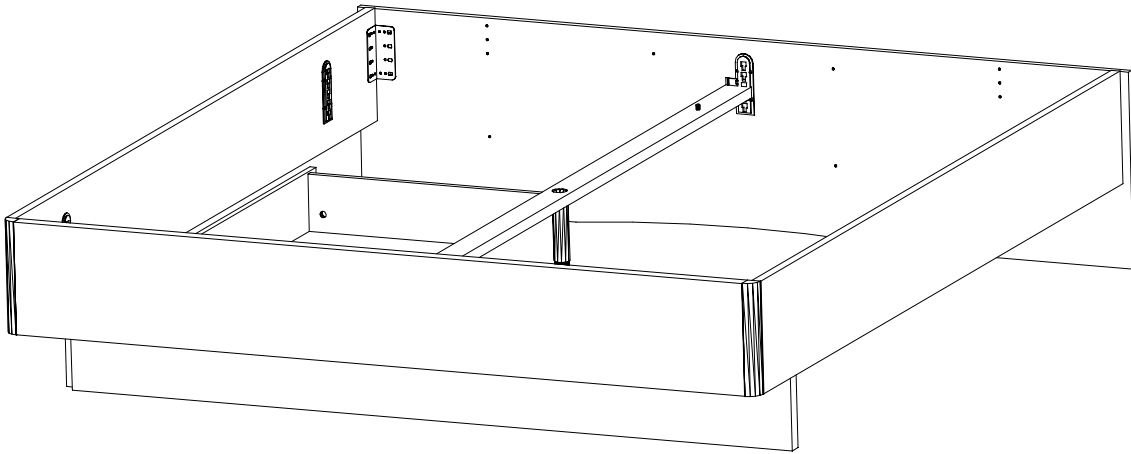
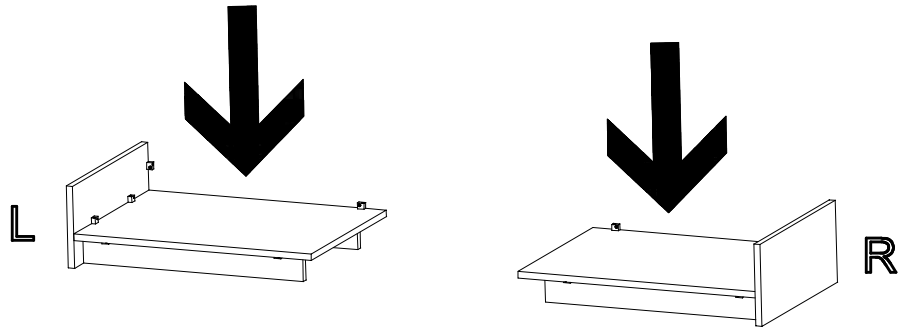
5

4 X 23 mm SP23

121117



6



7

4 X 23 mm SP23

121117

